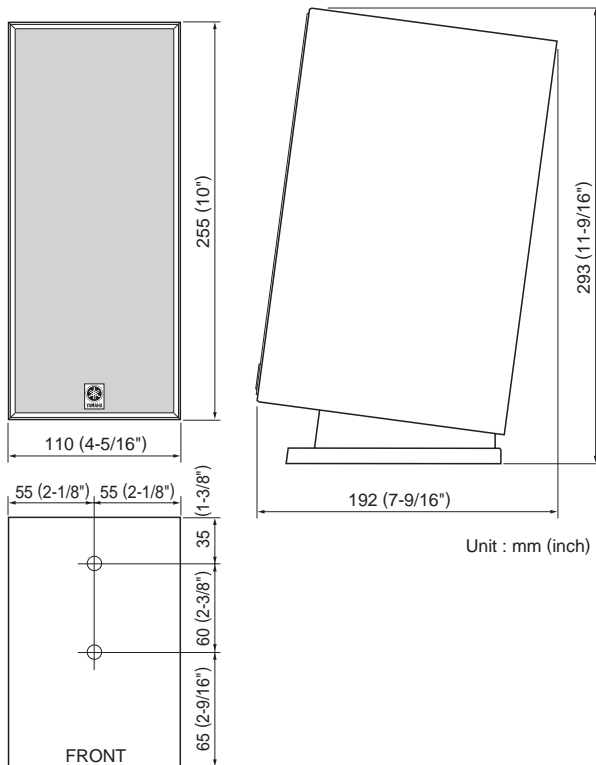


SPEAKER SYSTEM NS-U50

NS-U50

SERVICE MANUAL

■ DIMENSIONS

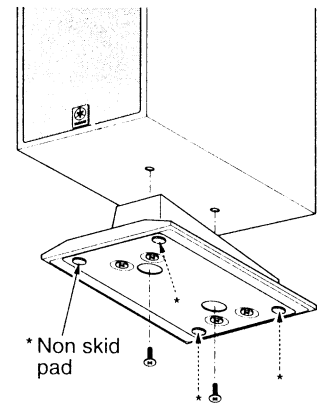


■ SPECIFICATIONS

Type 2-way acoustic suspension magnetic shielding
Speaker Unit
Woofer 9 cm (3-1/2") cone
Tweeter 2.5 cm (15/16") balanced dome
Impedance 6 ohms
Frequency Response 75 Hz – 30 kHz
Nominal Input Power 40 W

■ ATTACHING STAND

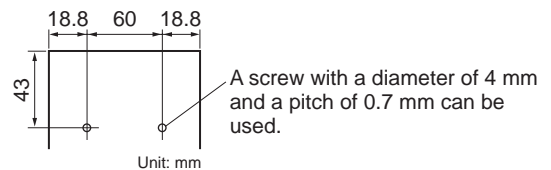
Attach the included stands to the speakers using the two included screws. Place the speakers next to a personal computer on a desktop to achieve the optimum listening position. Be sure to attach the stands to the speakers correctly as shown in the figure. If you attach them in the opposite direction or otherwise incorrectly, the speakers may fall and be damaged or cause injury.



■ Non skid pad

To prevent the speakers from sliding around, attach the supplied pads as shown in the illustration.

You can also use the screw holes on the rear of the speaker for installing the speakers.



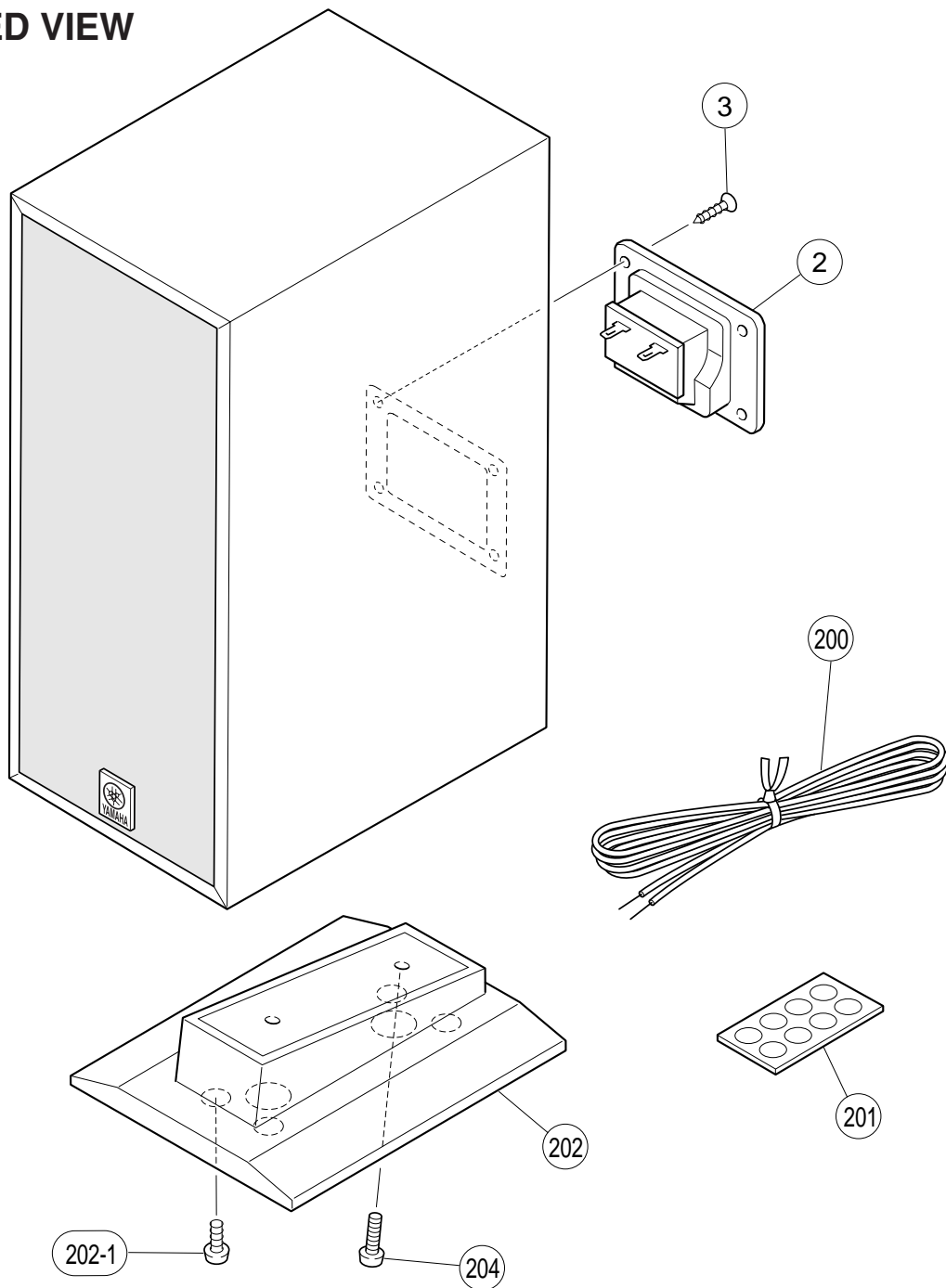
Maximum Input Power 100 W
Sensitivity 88 dB/2.83 V/m
Crossover Frequency 5 kHz
Dimensions (W x H x D) 110 x 293 x 192 mm
 (4-5/16" x 11-9/16" x 7-9/16")
Weight 2.0 kg (4 lbs. 7 oz.) /1 piece (stand included)
Accessories Stand x 2, Screws for stand x 4,
 Non skid pad x 8, Speaker cord (2m) x 2

* Specifications are subject change without notice due to product improvements.



このサービスマニュアルは、エコマーク認定の再生紙を使用しています。
 This Service Manual uses recycled paper.

■ EXPLODED VIEW



■ PARTS LIST

Ref. No.	PART NO.	Description	Remarks	Markets
2	VU986200	SPEAKER TERMINAL		
* 3	03744160	OVAL HEAD TAPPING SCREW	3x12 MFC2-BL	
		ACCESSORIES		
200	V4859700	SPEAKER CABLE	2.0m	
* 201	V4252700	LEG	PADx8	
* 202	V4252600	STAND ASS'Y	STANDx1	
202-1	VB931600	BIND HEAD P-TITE SCREW	4x8 MFZN2-BL	
204	VB132700	BIND HEAD SCREW	4x12 MFZN2-BL	

* New Parts